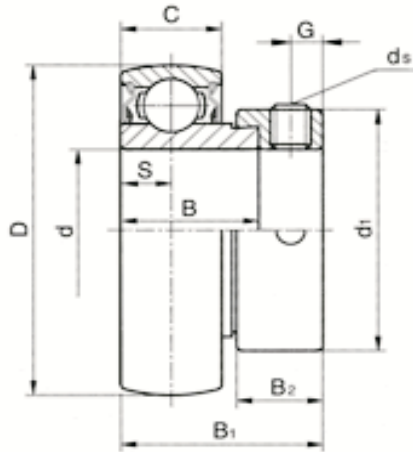


# Bearing inserts (Narrow Series)

with eccentric locking collar



Non-Regreasable



**SA2**

NOTE: BEARINGS WITH ECCENTRIC LOCKING COLLARS ARE NOT RECOMMENDED FOR USE IN REVERSING APPLICATIONS.

Bearing No.	Shaft Dia.		Dimensions (mm) (inch)									Basic load ratings (KN)		Weight (kg) (lb)
	d		D	B <sub>1</sub>	B	C	S	d <sub>1</sub>	B <sub>2</sub>	G	ds	Cr	Cor	
	(in.)	(mm)												
SA 201 201-8	1/2	12	40	28.5	19	13	6.5	28.6	13.5	4.8	M6X1	9.5	4.7	0.13
		1.5748	1.1220	0.7480	0.5120	0.2560	1.1260	0.5315	0.1890	1/4-28UNF			0.29	
SA 202 202-9 202-10	9/16 5/8	15	40	28.5	19	13	6.5	28.6	13.5	4.8	M6X1	9.5	4.7	0.13
		1.5748	1.1220	0.7480	0.5120	0.2560	1.1260	0.5315	0.1890	1/4-28UNF			0.29	
SA 203 203-11	11/16	17	40	28.5	19	13	6.5	28.6	13.5	4.8	M6X1	9.5	4.7	0.13
		1.5748	1.1220	0.7480	0.5120	0.2560	1.1260	0.5315	0.1890	1/4-28UNF			0.29	
SA 204 204-12	3/4	20	47	31	21.4	14	7.5	32	13.5	4.8	M6X1	12.8	6.6	0.15
		1.8504	1.2180	0.8430	0.5512	0.2953	1.2600	0.5315	0.1890	1/4-28UNF			0.33	
SA 205 205-14 205-15 205-16	7/8 15/16 1	25	52	31	21.4	15	7.5	38.1	13.5	4.8	M6X1	14.0	7.8	0.22
		2.0472	1.2180	0.8430	0.5906	0.2953	1.5000	0.5315	0.1890	1/4-28UNF			0.49	
SA 206 206-17 206-18 206-19 206-20	1 1/16 1 1/8 1 3/16 1 1/4	30	62	35.7	23.8	16	8.0	44.5	15.9	6.0	M8X1	19.4	11.2	0.30
		2.4409	1.4060	0.9370	0.6299	0.3150	1.7520	0.6260	0.2362	5/16-24UNF			0.66	
SA 207 207-20 207-21 207-22 207-23	1 1/4 1 5/16 1 3/8 1 7/16	35	72	38.9	25.4	17	8.5	55.6	17.5	6.8	M8X1	25.6	15.2	0.50
		2.8346	1.5310	1.0000	0.6693	0.3346	2.1890	0.6890	0.2677	5/16-24UNF			1.10	
SA 208 208-24	1 1/2	40	80	43.7	30.1	18	9.0	60.3	18.3	6.8	M10X1.25	32.6	19.8	0.67
		3.1496	1.7190	1.1870	0.7087	0.3643	2.3740	0.7205	0.2677	5/16-24UNF			1.48	
SA 209 209-26 209-27 209-28	1 5/8 1 11/16 1 3/4	45	85	43.7	30.2	22	11.0	63.5	18.3	6.8	M10X1.25	32.7	20.4	0.82
		3.3464	1.7205	1.1890	0.8661	0.4331	2.5000	0.7205	0.2677	3/8-24UNF			1.81	
SA 210 210-30 210-31 210-32	1 7/8 1 15/16 2	50	90	43.7	30.2	22	11.0	69.9	18.3	6.8	M10X1.25	35.0	23.1	0.85
		3.5433	1.7205	1.1890	0.8661	0.4331	2.7520	0.7205	0.2677	3/8-24UNF			1.87	
SA 211 211-32 211-34 211-35	2 2 1/8 2 3/16	55	100	48.4	32.4	24	12.0	76.2	20.7	8.0	M10X1.25	43.3	29.2	1.20
		3.9370	1.9055	1.2756	0.9449	0.4724	2.0000	0.8150	0.3150	3/8-24UNF			2.65	

Alternative dimensions are available, for critical engineering or construction requirements please confirm these dimensions with your local Ringball branch