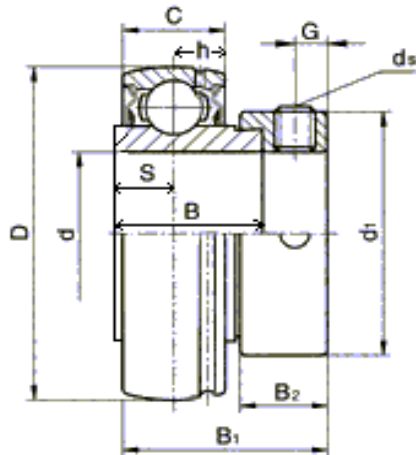




Bearing inserts
with eccentric locking collar

Regreasable



NOTE: BEARINGS WITH ECCENTRIC LOCKING COLLARS ARE NOT RECOMMENDED FOR USE IN REVERSING APPLICATIONS.

SA2 FP9

Bearing No.	Shaft Dia.		Dimensions (mm)										Basic load ratings (KN)		Weight (kg) (lb)
	d		D	B ₁	B	C	S	d ₁	B ₂	h	G	ds	Cr	Cor	
	(in.)	(mm)													
SA 201 FP9		12	40	28.6	19.1	13	6.5	28.6	13.5	3.4	4.8	M6x1	9.5	4.7	0.13
201-8 FP9	1/2		1.5748	1.1260	0.7520	0.5118	0.2559	1.1260	0.5315	0.1338	0.1890	1/4-28UNF			0.29
SA 202 FP9		15	40	28.6	19.1	13	6.5	28.6	13.5	3.4	4.8	M6x1	9.5	4.7	0.13
202-9 FP9	9/16														
202-10 FP9	5/8		1.5748	1.1260	0.7520	0.5118	0.2559	1.1260	0.5315	0.1338	0.1890	1/4-28UNF			0.29
SA 203 FP9		17	40	28.6	19.1	13	6.5	28.6	13.5	3.4	4.8	M6x1	9.5	4.7	0.13
203-11 FP9	1 1/16		1.5748	1.1260	0.7520	0.5118	0.2559	1.1260	0.5315	0.1338	0.1890	1/4-28UNF			0.29
SA 204 FP9		20	47	31.0	21.5	15	7.5	33.3	13.5	4.0	4.8	M6x1	12.8	6.6	0.20
204-12 FP9	3/4		1.8504	1.2205	0.8464	0.5906	0.2953	1.3110	0.5315	0.1575	0.1890	1/4-28UNF			0.43
SA 205 FP9		25	52	31.0	21.5	15	7.5	38.1	13.5	4.2	4.8	M6x1	14.0	7.8	0.23
205-14 FP9	7/8														
205-15 FP9	15/16		2.0472	1.2205	0.8464	0.5906	0.2953	1.5000	0.5315	0.1654	0.1890	1/4-28UNF			0.51
205-16 FP9	1														
SA 206 FP9		30	62	35.7	23.8	18	9.0	44.5	15.9	4.8	6.0	M8X1	19.4	11.2	0.34
206-17 FP9	1 1/16														
206-18 FP9	1 1/8		2.4409	1.4055	0.9370	0.7087	0.3543	1.7520	0.6260	0.1890	0.2362	5/16-24UNF			0.75
206-19 FP9	1 3/16														
206-20 FP9	1 1/4														
SA 207 FP9		35	72	38.9	25.4	19	9.5	55.6	17.5	5.4	6.8	M8X1	25.6	15.2	0.57
207-20 FP9	1 1/4														
207-21 FP9	1 5/16		2.8346	1.5315	1.0000	0.7480	0.3740	2.1890	0.6890	0.2126	0.2677	5/16-24UNF			1.26
207-22 FP9	1 3/8														
207-23 FP9	1 7/16														
SA 208 FP9		40	80	43.7	30.2	22	11.0	60.3	18.3	5.9	6.8	M8X1	32.6	19.8	0.75
208-24 FP9	1 1/2		3.1496	1.7205	1.1890	0.8661	0.4331	2.3740	0.7205	0.2323	0.2677	5/16-24UNF			1.65
208-25 FP9	1 9/16														
SA 209 FP9		45	85	43.7	30.2	22	11.0	63.5	18.3	6.1	6.8	M8X1	32.7	20.4	0.82
209-26 FP9	1 5/8		3.3464	1.7205	1.1890	0.8661	0.4331	2.5000	0.7205	0.2402	0.2677	5/16-24UNF			1.81
209-27 FP9	1 11/16														
209-28 FP9	1 3/4														
SA 210 FP9		50	90	43.7	30.2	22	11.0	69.9	18.3	6.5	6.8	M8X1	35.0	23.1	0.85
210-30 FP9	1 7/8		3.5433	1.7205	1.1890	0.8661	0.4331	2.7520	0.7205	0.2559	0.2677	5/16-24UNF			1.87
210-31 FP9	1 15/16														
210-32 FP9	2														
SA 211 FP9		55	100	48.4	32.4	24	12.0	76.2	20.7	7.1	8.0	M10X1.25	43.3	29.2	1.20
211-32 FP9	2		3.9370	1.9055	1.2756	0.9449	0.4724	2.0000	0.8150	0.2795	0.3150	3/8-24UNF			2.65
211-34 FP9	2 1/8														
211-35 FP9	2 3/16														

Alternative dimensions are available, for critical engineering or construction requirements please confirm these dimensions with your local Ringball branch