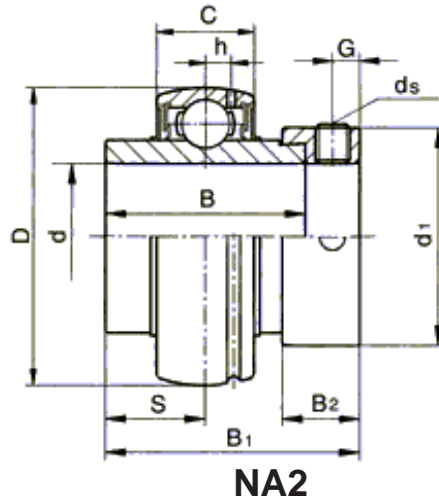




**Bearing inserts**  
with eccentric locking collar

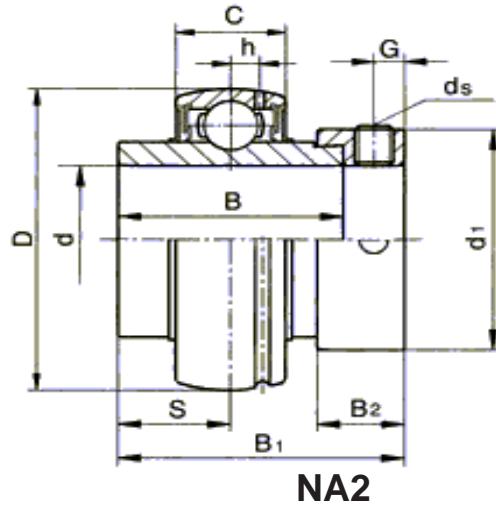


Bearing No.	Shaft Dia.		Dimensions (mm) (inch)										Basic load ratings (KN)		Weight (kg) (lb)
	d		D	B <sub>1</sub>	B	C	S	d <sub>1</sub>	B <sub>2</sub>	h	G	d <sub>s</sub>	Cr	Cor	
	(in.)	(mm)													
NA201 201-8	1/2	12	47	43.5	34	17	17	33.3	13.5	4.0	5.0	M6X0.75	12.8	6.6	0.27 0.59
		1.8504	1.7126	1.3386	0.6693	0.6693	1.3110	0.5315	0.1575	0.1968	1/4-28UNF				
NA202 202-9 202-10	9/16 5/8	15	47	43.5	34	17	17	33.3	13.5	4.0	5.0	M6X0.75	12.8	6.6	0.25 0.55
		1.8504	1.7126	1.3386	0.6693	0.6693	1.3110	0.5315	0.1575	0.1968	1/4-28UNF				
NA203 203-11	1 1/16	17	47	43.5	34	17	17	33.3	13.5	4.0	5.0	M6X0.75	12.8	6.6	0.24 0.53
NA204 204-12	3/4	20	47	43.5	34	17	17	33.3	13.5	4.0	5.0	M6X0.75	12.8	6.6	0.22 0.48
NA205 205-14 205-15 205-16	7/8 15/16	25	52	44.3	34.8	17	17.4	38.1	13.5	4.2	5.0	M6X0.75	14.0	7.8	0.25 0.55
			2.0472	1.7441	1.3701	0.6693	0.6850	1.5000	0.5315	0.1654	0.1968	1/4-28UNF			
NA206 206-17 206-18 206-19 206-20	1 1/16 1 1/8	30	62	48.3	36.4	19	18.2	44.5	15.9	4.8	6.0	M8X1	19.4	11.2	0.41 0.90
			2.4409	1.9016	1.4331	0.7480	0.7165	1.7520	0.6260	0.1890	0.2362	5/16-24UNF			
NA207 207-20 207-21 207-22 207-23	1 1/4 1 5/16	35	72	51.1	37.6	20	18.8	55.6	17.5	5.4	6.5	M8X1	25.6	15.2	0.60 1.32
			2.8346	2.0118	1.4803	0.7874	0.7402	2.1890	0.6890	0.2126	0.2559	5/16-24UNF			
NA208 208-24 208-25	1 1/2 1 9/16	40	80	56.3	42.8	21	21.4	60.3	18.3	5.9	6.5	M10X1.25	32.6	19.8	0.78 1.72
			3.1496	2.2165	1.6850	0.8268	0.8425	2.3740	0.7205	0.2323	0.2559	3/8-24UNF			
NA209 209-26 209-27 209-28	1 5/8 1 11/16	45	85	56.3	42.8	22	21.4	63.5	18.3	6.1	6.5	M10X1.25	32.7	20.4	0.85 1.87
			3.3464	2.2165	1.6850	0.8661	0.8425	2.5000	0.7205	0.2402	0.2559	3/8-24UNF			

Alternative dimensions are available, for critical engineering or construction requirements please confirm these dimensions with your local Ringball branch

Bearing inserts

with eccentric locking collar



Bearing No.	Shaft Dia.		Dimensions (mm) (inch)										Basic load ratings (KN)		Weight (kg) (lb)		
	d		D	B <sub>1</sub>	B	C	S	d <sub>1</sub>	B <sub>2</sub>	h	G	d <sub>s</sub>	Cr	Cor			
	(in.)	(mm)															
NA 210	1 7/8	50	90	62.7	49.2	24	24.6	69.9	18.3	6.5	6.5	M10X1.25	35.0	23.1	1.01		
210-30			1 15/16	3.5433	2.4685	1.9370	0.9449	0.9685	2.7520	0.7205	0.2559	0.2559	3/8-24UNF			2.22	
210-31			2														
210-32																	
NA 211	2	55	100	71.4	55.4	25	27.7	76.2	20.7	7.1	8.0	M10X1.25	43.3	29.2	1.39		
211-32			2 1/8	3.9370	2.8110	2.1811	0.9842	1.0906	3.0000	0.8150	0.2795	0.3150	3/8-24UNF			3.16	
211-34			2 3/8														
211-35			2 5/8														
NA 212	2 1/4	60	110	77.8	61.9	27	30.9	84.2	22.3	7.6	8.0	M10X1.25	47.7	32.9	1.87		
212-36			2 5/16	4.3307	3.0630	2.4370	1.0630	1.2165	3.3150	0.8780	0.2992	0.3150	3/8-24UNF			4.12	
212-37			2 3/8														
212-38			2 5/8														
212-39			2 7/8														
NA 213	2 1/2	65	120	85.7	68.6	28	34.1	86.0	23.5	8.5	8.5	M10X1.25	57.2	40.0	2.41		
213-40			4.7244	3.3740	2.7008	1.1024	1.3425	3.3858	0.9252	0.3346	0.3346	3/8-24UNF			5.31		
NA 214	2 11/16	70	125	85.7	68.6	30	34.1	90.0	23.5	8.9	8.5	M10X1.25	62.2	44.0	2.57		
214-43			4.9212	3.3740	2.7008	1.1811	1.3425	3.5433	0.9252	0.3504	0.3346	3/8-24UNF			5.66		
214-44			2 3/4														
NA 215	2 7/8	75	130	92.1	75.0	32	37.3	102	23.5	9.2	8.5	M10X1.25	66.1	49.5	2.84		
215-46			5.1181	3.6260	2.9528	1.2598	1.4685	4.0157	0.9252	0.3622	0.3346	3/8-24UNF			6.26		
215-47			2 15/16														
215-48			3														

Alternative dimensions are available, for critical engineering or construction requirements please confirm these dimensions with your local Ringball branch