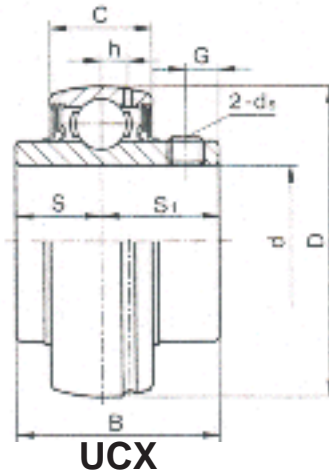




Bearing inserts
set screw locking



Bearing No.	Shaft Dia.		Dimensions (mm) (inch)								Basic load ratings KN		Weight (kg) (lb)
	d		D	B	C	S	S1	G	h	ds	Cr	Cor	
	(in.)	(mm)											
UCX05 X05-16	1	25	62 2.4409	38.1 1.5000	19 0.7480	15.9 0.6260	22.2 0.8740	6.0 0.2362	4.8 0.1890	M6X0.75 1/4-28UNF	19.4	11.2	0.39 0.86
UCX06 X06-19 X06-20	1 3/16 1 1/4	30	72 2.8346	42.9 1.6890	20 0.7874	17.5 0.6890	25.4 1.0000	6.5 0.2559	5.4 0.2126	M8X1 5/16-24UNF	25.6	15.2	0.58 1.28
UCX07 X07-22 X07-23	1 3/8 1 7/16	35	80 3.1496	49.2 1.9370	21 0.8268	19.0 0.7480	30.2 1.1890	8.0 0.3150	5.9 0.2323	M8X1 5/16-24UNF	32.6	19.8	0.75 1.65
UCX08 X08-24	1 1/2	40	85 3.3464	49.2 1.9370	22 0.8661	19.0 0.7480	30.2 1.1890	8.0 0.3150	6.1 0.2402	M8X1 5/16-24UNF	32.7	20.4	0.83 1.83
UCX09 X09-27 X09-28	1 11/16 1 3/4	45	90 3.5433	51.6 2.0315	24 0.9449	19.0 0.7480	32.6 1.2835	9.0 0.3543	6.5 0.2559	M10X1.25 3/8-24UNF	35.0	23.1	0.95 2.09
UCX10 X10-31 X10-32	1 5/16 2	50	100 3.9370	55.6 2.1890	25 0.9842	22.2 0.8740	33.4 1.3150	9.0 0.3543	7.1 0.2795	M10X1.25 3/8-24UNF	43.3	29.2	1.29 2.84
UCX11 X11-35 X11-36	2 3/16 2 1/4	55	110 4.3307	65.1 2.5630	27 1.0630	25.4 1.0000	39.7 1.5630	10.5 0.4134	7.6 0.2992	M10X1.25 3/8-24UNF	47.7	32.9	1.80 3.96
UCX12 X12-38 X12-39	2 3/8 2 7/16	60	120 4.7244	65.1 2.5630	28 1.1024	25.4 1.0000	39.7 1.5630	12.0 0.4724	8.5 0.3346	M12X1.5 1/2-20UNF	57.2	40.0	2.05 4.52
UCX13 X13-40	2 1/2	65	125 4.9212	74.6 2.9370	30 1.1811	30.2 1.1890	44.4 1.7480	12.0 0.4724	8.9 0.3504	M12X1.5 1/2-20UNF	62.2	44.0	2.52 5.6
UCX14 X14-44	2 3/4	70	130 5.1181	77.8 3.0630	32 1.2598	33.3 1.3110	44.5 1.7520	12.0 0.4724	9.0 0.3543	M12X1.5 1/2-20UNF	66.1	49.5	2.74 6.03
UCX15 X15-48	3	75	140 5.5118	82.6 3.2520	33 1.2992	33.3 1.3110	49.3 1.9409	14.0 0.5512	9.0 0.3543	M12X1.5 1/2-20UNF	72.5	53.0	3.41 7.51
UCX16		80	150 5.9055	85.7 3.3740	35 1.3780	34.1 1.3425	51.6 2.0315	14.0 0.5512	10.0 0.3937	M12X1.5 1/2-20UNF	83.5	64.0	3.87 8.52
UCX17 X17-52	3 1/4	85	160 6.2992	96.0 3.7795	37 1.4567	39.7 1.5630	56.3 2.2165	15.0 0.5906	10.5 0.4134	M12X1.5 1/2-20UNF	96.0	71.5	5.03 11.08
UCX18 X18-56	3 1/2	90	170 6.6929	104.0 4.0945	40 1.5748	42.9 1.6890	61.1 2.4055	16.0 0.6299	12.0 0.4724	M14X1.5 1/2-20UNF	110.3	82.5	5.99 13.19
UCX20 X20-64	4	100	190 7.4803	117.5 4.6260	43 1.6929	49.2 1.9370	68.3 2.6890	18.0 0.7087	13.5 0.5315	M16X1.5 1/2-20UNF	133.2	104.8	8.57 18.88

Alternative dimensions are available, for critical engineering or construction requirements please confirm these dimensions with your local Ringball branch