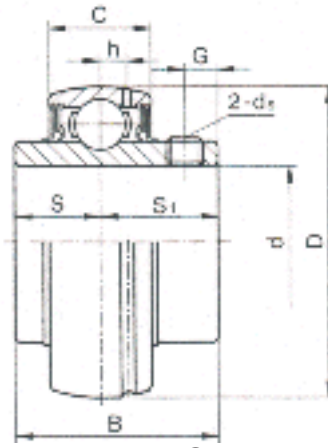




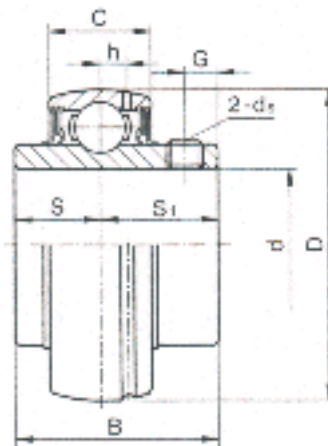
**Bearing inserts**  
**set screw locking**



**UC2**

Bearing No.	Shaft Dia.		Dimensions (mm) (inch)								Basic load ratings (KN)		Weight (kg) (lb)
	d		D	B	C	S	S <sub>1</sub>	G	h	ds	Cr	Cor	
	(in.)	(mm)											
UC 201		12	47	31.0	17	12.7	18.3	5.0	4.0	M6X0.75	12.8	6.6	0.21
201-8	1/2		1.8504	1.2205	0.6693	0.5000	0.7205	0.1968	0.1575	1/4-28UNF			0.46
UC 202		15	47	31.0	17	12.7	18.3	5.0	4.0	M6X0.75	12.8	6.6	0.19
202-9	9/16		1.8504	1.2205	0.6693	0.5000	0.7205	0.1968	0.1575	1/4-28UNF			0.42
202-10	5/8												
UC 203		17	47	31.0	17	12.7	18.3	5.0	4.0	M6X0.75	12.8	6.6	0.18
203-11	11/16		1.8504	1.2205	0.6693	0.5000	0.7205	0.1968	0.1575	1/4-28UNF			0.40
UC 204		20	47	31.0	17	12.7	18.3	5.0	4.0	M6X0.75	12.8	6.6	0.16
204-12	3/4		1.8504	1.2205	0.6693	0.5000	0.7205	0.1968	0.1575	1/4-28UNF			0.35
UC 205		25	52	34.1	17	14.3	19.8	5.5	4.2	M6X0.75	14.0	7.8	0.21
205-14	7/8		2.0472	1.3425	0.6693	0.5630	0.7795	0.2165	0.1654	1/4-28UNF			0.46
205-15	15/16												
205-16	1												
UC 206		30	62	38.1	19	15.9	22.2	6.0	4.8	M6X0.75	19.4	11.2	0.32
206-17	1 1/16		2.4409	1.5000	0.7480	0.6260	0.8740	0.2362	0.1890	1/4-28UNF			0.70
206-18	1 1/8												
206-19	1 3/16												
206-20	1 1/4												
UC 207		35	72	42.9	20	17.5	25.4	6.5	5.4	M8X1	25.6	15.2	0.47
207-20	1 1/4		2.8346	1.6890	0.7874	0.6890	1.0000	0.2559	0.2126	5/16-24UNF			1.04
207-21	1 5/16												
207-22	1 3/8												
207-23	1 7/16												
UC 208		40	80	49.2	21	19.0	30.2	8.0	5.9	M8X1	32.6	19.8	0.64
208-24	1 1/2		3.1496	1.9370	0.8268	0.7480	1.1890	0.3150	0.2323	5/16-24UNF			1.41
208-25	1 9/16												
UC 209		45	85	49.2	22	19.0	30.2	8.0	6.1	M8X1	32.7	20.4	0.68
209-26	1 5/8		3.3464	1.9370	0.8661	0.7480	1.1890	0.3150	0.2402	5/16-24UNF			1.50
209-27	1 11/16												
209-28	1 3/4												

Alternative dimensions are available, for critical engineering or construction requirements please confirm these dimensions with your local Ringball branch



UC2

Bearing No.	Shaft Dia.		Dimensions (mm) (inch)								Basic load ratings (KN)		Weight (kg) (lb)	
	d		D	B	C	S	S <sub>1</sub>	G	h	ds	Cr	Cor		
	(in.)	(mm)												
UC210	1 7/8	50	90	51.6	24	19.0	32.6	9.0	6.5	M10X1.25	35.0	23.1	0.81	
210-30			3.5433	2.0315	0.9449	0.7480	1.2835	0.3543	0.2559	3/8-24UNF			1.78	
210-31			1 15/16											
210-32			2											
UC211	2	55	100	55.6	25	22.2	33.4	9.0	7.1	M10X1.25	43.3	29.2	1.12	
211-32			3.9370	2.1890	0.9842	0.8740	1.3150	0.3543	0.2795	3/8-24UNF			2.47	
211-34			2 1/8											
211-35			2 3/16											
UC212	2 1/4	60	110	65.1	27	25.4	39.7	10.5	7.6	M10X1.25	47.7	32.9	1.53	
212-36			4.3307	2.5630	1.0630	1.0000	1.5630	0.4134	0.2992	3/8-24UNF			3.37	
212-37			2 5/16											
212-38			2 3/8											
212-39			2 7/16											
UC213	2 1/2	65	120	65.1	28	25.4	39.7	12.0	8.5	M10X1.25	57.2	40.0	1.86	
213-40			4.7244	2.5630	1.1024	1.0000	1.5630	0.4724	0.3346	3/8-24UNF			4.10	
UC214	2 11/16	70	125	74.6	30	30.2	44.4	12.0	8.9	M12X1.5	62.2	44.0	2.05	
214-43			4.9212	2.9370	1.1811	1.1890	1.7480	0.4724	0.3504	1/2-20UNF			4.52	
214-44			2 3/4											
UC215	2 7/8	75	130	77.8	32	33.3	44.5	12.0	9.0	M12X1.5	66.1	49.5	2.21	
215-46			5.1181	3.0630	1.2598	1.3110	1.7520	0.4724	0.3543	1/2-20UNF			4.87	
215-47			2 15/16											
215-48			3											
UC216		80	140	82.6	33	33.3	49.3	14.0	9.0	M12X1.5	72.5	53.0	2.79	
			5.5118	3.2520	1.2992	1.3110	1.9409	0.5512	0.3543	1/2-20UNF			6.14	
UC217	3 1/4	85	150	85.7	35	34.1	51.6	14.0	10.0	M12X1.5	83.5	64.0	3.38	
217-52			5.9055	3.3740	1.3780	1.3425	2.0315	0.5512	0.3937	1/2-20UNF			7.44	
UC218	3 1/2	90	160	96.0	37	39.7	56.3	15.0	10.5	M12X1.5	96.0	71.5	4.45	
218-56			6.2992	3.7795	1.4567	1.5630	2.2165	0.5906	0.4134	1/2-20UNF			9.80	

Alternative dimensions are available, for critical engineering or construction requirements please confirm these dimensions with your local Ringball branch