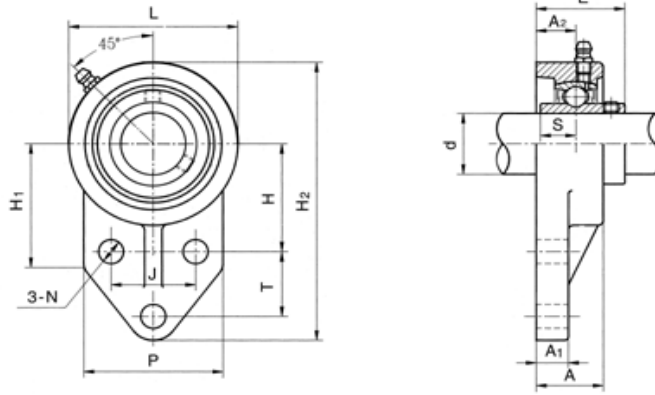




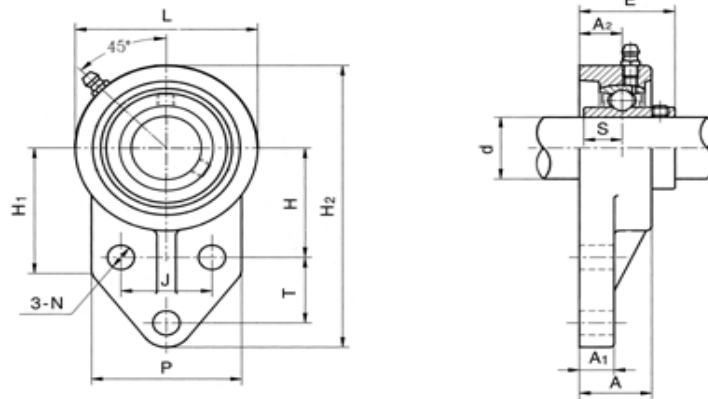
Three-bolt flange bracket units  
setscrew locking



UCFB2

Unit No.	Shaft Dia.		Dimensions (mm) (inch)													Bolt Used (mm) (in.)	Bearing No.	Housing No.	Weight (kg) (lb)
	d		H2	L	P	H	J	T	H1	A2	A1	A	N	E	S				
	(in.)	(mm)																	
UCFB 201 201-8	1/2	12	110 4.3307	62 2.4409	52 2.0472	42 1.6563	32 1.2598	27 1.0630	27 2.0472	52 0.5906	15 0.5118	13 1.0039	25.5 0.3937	10 1.3110	12.7 0.5000	M8 5/16	UC201 201-8	FB204	0.57 1.2
UCFB 202 202-9 202-10	9/16 5/8	15	110 4.3307	62 2.4409	52 2.0472	42 1.6563	32 1.2598	27 1.0630	27 2.0472	52 0.5906	15 0.5118	13 1.0039	25.5 0.3937	10 1.3110	12.7 0.5000	M8 5/16	UC202 202-9 202-10	FB204	0.56 1.2
UCFB 203 203-11	11/16	17	110 4.3307	62 2.4409	52 2.0472	42 1.6563	32 1.2598	27 1.0630	27 2.0472	52 0.5906	15 0.5118	13 1.0039	25.5 0.3937	10 1.3110	12.7 0.5000	M8 5/16	UC203 203-11	FB204	0.55 1.2
UCFB 204 204-12	3/4	20	110 4.3307	62 2.4409	52 2.0472	42 1.6563	32 1.2598	27 1.0630	27 2.0472	52 0.5906	15 0.5118	13 1.0039	25.5 0.3937	10 1.3110	12.7 0.5000	M8 5/16	UC204 204-12	FB204	0.53 1.2
UCFB 205 205-14 205-15 205-16	7/8 15/16 1	25	116 4.5669	68 2.6772	56 2.2047	45 1.7716	34 1.3386	27 1.0630	27 2.0472	52 0.6299	16 0.5118	13 1.0630	27 0.3937	10 1.4094	14.3 0.5630	M8 5/16	UC205 205-14 205-15 205-16	FB205	0.74 1.6
UCFB 206 206-17 206-18 206-19 206-20	1 1/16 1 1/8 1 3/16 1 1/4	30	130 5.1181	78 3.0709	65 2.5590	50 1.9685	40 1.5748	29 1.1417	29 2.1654	55 0.7087	18 0.5118	13 1.2205	31 0.3937	10 1.5827	15.9 0.6260	M8 5/16	UC206 206-17 206-18 206-19 206-20	FB206	0.99 2.2
UCFB 207 207-20 207-21 207-22 207-23	1 1/4 1 5/16 1 3/8 1 7/16	35	144 5.6693	90 3.5433	70 2.7559	55 2.1654	46 1.8110	32 1.2598	32 2.4409	62 0.7480	19 0.5906	15 1.3386	34 0.3937	10 1.7480	17.5 0.6890	M8 5/16	UC207 207-20 207-21 207-22 207-23	FB207	1.28 2.8
UCFB 208 208-24 208-25	1 1/2 1 9/16	40	164 6.4567	100 3.9370	78 3.0709	60 2.3622	50 1.9685	41 1.6142	41 2.8346	72 0.8268	21 0.6299	16 1.4173	36 0.4724	12 2.0157	51.2 0.7480	M10 3/8	UC208 208-24 208-25	FB208	1.55 3.4
UCFB 209 209-26 209-27 209-28	1 5/8 1 11/16 1 3/4	45	174 6.8504	106 4.1732	80 3.1496	65 2.5590	54 2.1260	43 1.6929	43 2.9921	76 0.8661	22 0.7087	18 1.4961	38 0.4724	12 2.0551	52.2 0.7480	M10 3/8	UC209 209-26 209-27 209-28	FB209	2.13 4.7

Alternative dimensions are available, for critical engineering or construction requirements please confirm these dimensions with your local Ringball branch



### UCFB2

Unit No.	Shaft Dia.		Dimensions (mm) (inch)													Bolt Used (mm) (in.)	Bearing No.	Housing No.	Weight (kg) (lb)
	d		H2	L	P	H	J	T	H1	A2	A1	A	N	E	S				
	(in.)	(mm)																	
UCFB210		50	184	112	86	68	58	46	82	22	18	40	12	54.6	19.0	M10	UC210	FB210	2.41
210-30	1 7/8																210-30		
210-31	1 15/16		7.2441	4.4094	3.3858	2.9528	2.2835	1.8110	3.2283	0.8661	0.7087	1.5748	0.4724	2.1496	0.7480	3/8	210-31		5.3
210-32	2																210-32		
UCFB211		55	207	128	90	78	62	50	55.6	25	18	42.5	14	58.4	22.2	M12	UC211	FB211	3.11
211-32	2																211-32		
211-34	2 1/8		8.1496	5.0394	3.5433	3.0709	2.4409	1.9685	2.1890	0.9842	0.7087	1.6732	0.5512	2.2992	0.8740	1/2	211-34		6.8
211-35	2 3/16																211-35		
UCFB212		60	224	140	94	84	66	55	65.1	29	19	47.5	14	68.7	25.4	M12	UC212	FB212	4.07
212-36	2 1/4																212-36		
212-37	2 5/16		8.8189	5.5118	3.7008	3.3071	2.5984	2.1654	2.5630	1.1417	0.7480	1.8701	0.5512	2.7047	1.0000	1/2	212-37		9.0
212-38	2 3/8																212-38		
212-39	2 7/16																212-39		
UCFB213		65	244	152	102	92	70	60	65.1	30	20	49.0	14	69.7	25.4	M12	UC213	FB213	4.86
213-40	2 1/2		9.6063	5.9842	4.0157	3.6220	2.7559	2.3622	2.5630	1.1811	0.7874	1.9291	0.5512	2.7441	1.0000	1/2	213-40		10.7

Alternative dimensions are available, for critical engineering or construction requirements please confirm these dimensions with your local Ringball branch