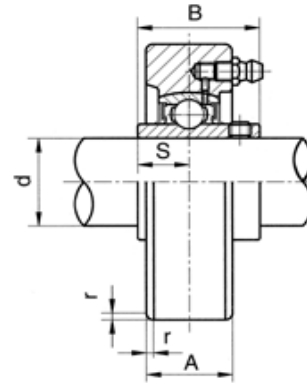
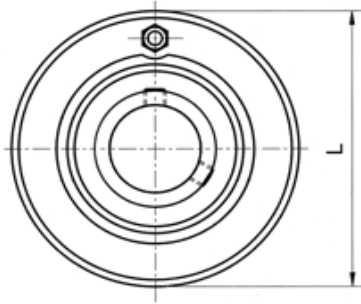




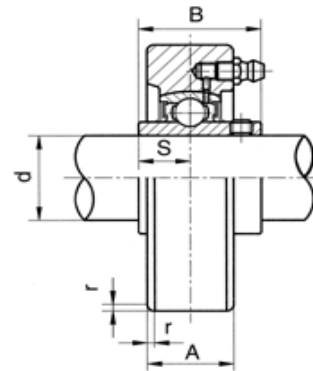
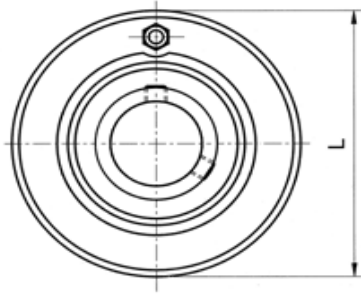
Cartridge units
setscrew locking



UCC2

Unit No.	Shaft Dia.		Dimensions (mm) (inch)					Bearing No.	Housing No.	Weight (kg) (lb)						
	d		L	A	r	B	S									
	(in.)	(mm)														
UCC201	1/2	12	72	20	2.0	31.0	12.7	UC201	C204	0.53						
201-8		2.8346	0.7874	0.0787	1.2205	0.5000	1.2									
UCC202	9/16	15	72	20	2.0	31.0	12.7	UC202	C204	0.52						
202-9										2.8346	0.7874	0.0787	1.2205	0.5000	1.1	
202-10										5/8						
UCC203	1 1/16	17	72	20	2.0	31.0	12.7	UC203	C204	0.51						
203-11										2.8346	0.7874	0.0787	1.2205	0.5000	1.1	
UCC204	3/4	20	72	20	2.0	31.0	12.7	UC204	C204	0.49						
204-12										2.8346	0.7874	0.0787	1.2205	0.5000	1.1	
UCC205	7/8	25	80	22	2.0	34.1	14.3	UC205	C205	0.65						
205-14										15/16	3.1496	0.8661	0.0787	1.3425	0.5630	1.4
205-15										1						
205-16																
UCC206	1 1/16	30	85	27	2.0	38.1	15.9	UC206	C206	0.81						
206-17										1 1/8	3.3464	1.0630	0.0787	1.5000	0.6260	1.8
206-18										1 3/16						
206-19										1 1/4						
206-20																
UCC207	1 1/4	35	90	28	2.0	42.9	17.5	UC207	C207	0.90						
207-20										1 5/16	3.5433	1.1024	0.0787	1.6890	0.6890	2.0
207-21										1 3/8						
207-22										1 7/16						
207-23																
UCC208	1 1/2	40	100	30	2.5	49.2	19.0	UC208	C208	1.19						
208-24										1 5/16	3.9370	1.1811	0.0984	1.9370	0.7480	2.6
208-25																
UCC209	1 5/8	45	110	31	2.5	49.2	19.0	UC209	C209	1.49						
209-26										1 1/16	4.3307	1.2205	0.0984	1.9370	0.7480	3.3
209-27										1 3/4						
209-28																
UCC210	1 7/8	50	120	33	2.5	51.6	19.0	UC210	C210	1.92						
210-30										1 15/16	4.7244	1.2992	0.0984	2.0315	0.7480	4.2
210-31																
210-32										2						

Alternative dimensions are available, for critical engineering or construction requirements please confirm these dimensions with your local Ringball branch



UCC2

Unit No.	Shaft Dia.		Dimensions (mm) (inch)					Bearing No.	Housing No.	Weight (kg) (lb)
	d		L	A	r	B	S			
	(in.)	(mm)								
UCC211		55	125	35	2.5	55.6	22.2	UC211	C211	2.21
211-32	2							211-32		
211-34	2 1/8		4.9212	1.3780	0.0984	2.1890	0.8740	211-34		4.9
211-35	2 3/16							211-35		
UCC212		60	130	38	2.5	65.1	25.4	UC212	C212	2.48
212-36	2 1/4							212-36		
212-37	2 5/16		5.1181	1.4961	0.0984	2.5630	1.0000	212-37		5.5
212-38	2 3/8							212-38		
212-39	2 7/16							212-39		
UCC213		65	140	40	3.0	65.1	25.4	UC213	C213	2.95
213-40	2 1/2		5.5118	1.5748	0.1181	2.5630	1.0000	213-40		6.5

Alternative dimensions are available, for critical engineering or construction requirements please confirm these dimensions with your local Ringball branch