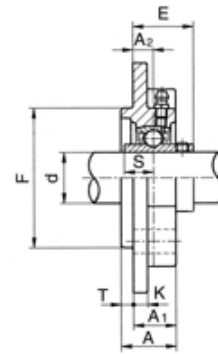
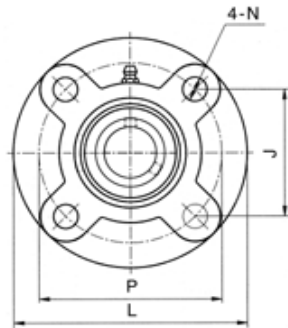




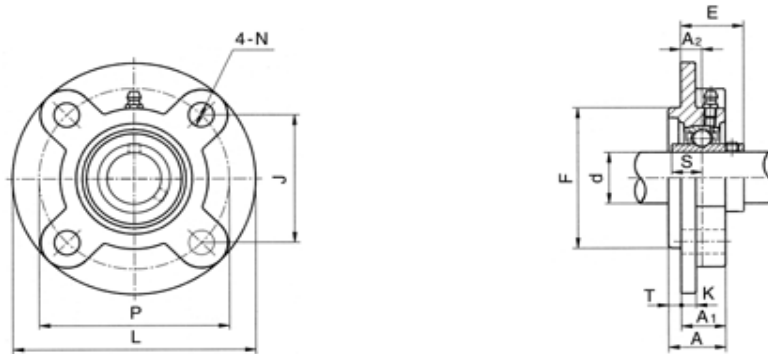
Four-bolt flange cartridge units
setscrew locking



UCFC2

Unit No.	Shaft Dia.		Dimensions (mm) (inch)												Bolt Used (mm) (in.)	Bearing No.	Housing No.	Weight (kg/lb)																	
	d		L	P	J	A ₂	A ₁	A	T	K	F	N	E	S																					
	(in.)	(mm)																																	
UCFC201	1/2	12	100	78	55.1	10	20.5	25.5	5	7	62	12	28.3	12.7	M10	UC201	FC204	0.78																	
201-8		3.9370	3.0709	2.1693	0.3937	0.8071	1.0039	0.1968	0.2756	2.4409	0.4724	1.1142	0.5000	3/8	201-8		1.7																		
UCFC202	9/16	15	100	78	55.1	10	20.5	25.5	5	7	62	12	28.3	12.7	M10	UC202	FC204	0.76																	
202-9																		3.9370	3.0709	2.1693	0.3937	0.8071	1.0039	0.1968	0.2756	2.4409	0.4724	1.1142	0.5000	3/8	202-9		1.7		
202-10																		5/8																	
UCFC203	11/16	17	100	78	55.1	10	20.5	25.5	5	7	62	12	28.3	12.7	M10	UC203	FC204	0.75																	
203-11																		3.9370	3.0709	2.1693	0.3937	0.8071	1.0039	0.1968	0.2756	2.4409	0.4724	1.1142	0.5000	3/8	203-11		1.7		
UCFC204	3/4	20	100	78	55.1	10	20.5	25.5	5	7	62	12	28.3	12.7	M10	UC204	FC204	0.74																	
204-12																		3.9370	3.0709	2.1693	0.3937	0.8071	1.0039	0.1968	0.2756	2.4409	0.4724	1.1142	0.5000	3/8	204-12		1.6		
UCFC205	7/8	25	115	90	63.6	10	21	27	6	7	70	12	29.8	14.3	M10	UC205	FC205	0.95																	
205-14																		4.5276	3.5433	2.5039	0.3937	0.8268	1.0630	0.2362	0.2756	2.7559	0.4724	1.1732	0.5630	3/8	205-14		2.1		
205-15																		15/16																	
205-16																		1																	
UCFC206	1 1/16	30	125	100	70.7	10	23	31	8	8	80	12	32.2	15.9	M10	UC206	FC206	1.25																	
206-17																		4.9212	3.9370	2.7835	0.3937	0.9055	1.2205	0.3150	0.3150	3.1496	0.4724	1.2677	0.6260	3/8	206-17		2.8		
206-18																		1 1/8																	
206-19																		1 3/16																	
206-20																		1 1/4																	
UCFC207	1 1/4	35	135	110	77.8	11	26	34	8	9	90	14	36.4	17.5	M12	UC207	FC207	1.67																	
207-20																		5.3150	4.3307	3.0630	0.4331	1.0236	1.3386	0.3150	0.3543	3.5433	0.5512	1.4331	0.6890	1/2	207-20		3.7		
207-21																		1 5/16																	
207-22																		1 3/8																	
207-23																		1 7/16																	
UCFC208	1 1/2	40	145	120	84.8	11	26	36	10	9	100	14	41.2	19.0	M12	UC208	FC208	2.05																	
208-24																		5.7087	4.7244	3.3386	0.4331	1.0236	1.4173	0.3937	0.3543	3.9370	0.5512	1.6220	0.7480	1/2	208-24		4.5		
208-25																		1 9/16																	
UCFC209	1 5/8	45	160	132	93.3	10	26	38	12	14	105	16	40.2	19.0	M14	UC209	FC209	2.63																	
209-26																		6.2992	5.1968	3.6732	0.3937	1.0236	1.4961	0.4724	0.5512	4.1338	0.6299	1.5827	0.7480	9/16	209-26		5.8		
209-27																		1 11/16																	
209-28																		1 3/4																	
UCFC210	1 7/8	50	165	138	97.6	10	28	40	12	14	110	16	42.6	19.0	M14	UC210	FC210	2.93																	
210-30																		6.4961	5.4331	3.8425	0.3937	1.1024	1.5748	0.4724	0.5512	4.3307	0.6299	1.6772	0.7480	9/16	210-30		6.4		
210-31																		1 15/16																	
210-32																		2																	

Alternative dimensions are available, for critical engineering or construction requirements please confirm these dimensions with your local Ringball branch



UCFC2

Unit No.	Shaft Dia.		Dimensions (mm) (inch)												Bolt Used (mm) (in.)	Bearing No.	Housing No.	Weight (kg) (lb)
	d		L	P	J	A ₂	A ₁	A	T	K	F	N	E	S				
	(in.)	(mm)																
UCFC 211		55	185	150	106.1	13	31	43	12	15	125	19	46.4	22.2	M16	UC 211	FC211	4.17
211-32	2															211-32		
211-34	2 1/8		7.2835	5.9055	4.1772	0.5118	1.2205	1.6929	0.4724	0.5906	4.9212	0.7480	1.8268	0.8740	5/8	211-34		9.2
211-35	2 3/16															211-35		
UCFC 212		60	195	160	113.1	17	36	48	12	15	135	19	56.7	25.4	M16	UC 212	FC212	5.10
212-36	2 1/4															212-36		
212-37	2 5/16		7.6772	6.2992	4.4528	0.6693	1.4173	1.8898	0.4724	0.5906	5.3150	0.7480	2.2323	1.0000	5/8	212-37		11.2
212-38	2 3/8															212-38		
212-39	2 7/16															212-39		
UCFC 213		65	205	170	120.2	16	36	50	14	15	145	19	55.7	25.4	M16	UC 213	FC213	5.60
213-40	2 1/2		8.0709	6.6929	4.7323	0.6299	1.4173	1.9685	0.5512	0.5906	5.7087	0.7480	2.1929	1.0000	5/8	213-40		12.3
UCFC 214		70	215	177	125.1	17	40	54	14	18	150	19	61.4	30.2	M16	UC 214	FC214	6.85
214-43	2 11/16		8.4646	6.9685	4.9252	0.6693	1.5748	2.1260	0.5512	0.7087	5.9055	0.7480	2.4173	1.1890	5/8	214-43		16.1
214-44	2 3/4															214-44		
UCFC 215		75	220	184	130.1	18	40	56	16	18	160	19	62.5	33.3	M16	UC 215	FC215	7.41
215-46	2 7/8		8.6614	7.2441	5.1220	0.7087	1.5748	2.2047	0.6299	0.7087	6.2992	0.7480	2.4606	1.3110	5/8	215-46		16.3
215-47	2 15/16															215-47		
215-48	3															215-48		
UCFC 216		80	240	200	141.4	18	42	58	16	18	170	23	67.3	33.3	M20	UC 216	FC216	9.09
			9.4488	7.8740	5.5669	0.7087	1.6535	2.2835	0.6299	0.7087	6.6929	0.9055	2.6496	1.3110	3/4			20.0
UCFC 217		85	250	208	147.1	18	45	63	18	20	180	23	69.6	34.1	M20	UC 217	FC217	10.75
217-52	3 1/4		9.8425	8.1890	5.7913	0.7087	1.7716	2.4803	0.7087	0.7874	7.0866	0.9055	2.7402	1.3425	3/4	217-52		23.7
UCFC 218		90	265	220	155.5	22	50	68	18	20	190	23	78.3	39.7	M20	UC 218	FC218	13.05
218-56	3 1/2		10.433	8.6614	6.1220	0.8661	1.9685	2.6772	0.7087	0.7874	7.4803	0.9055	3.0827	1.5630	3/4	218-56		28.7

Alternative dimensions are available, for critical engineering or construction requirements please confirm these dimensions with your local Ringball branch