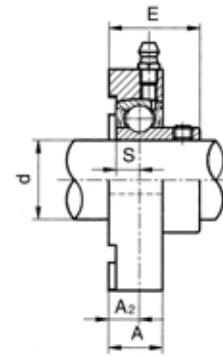
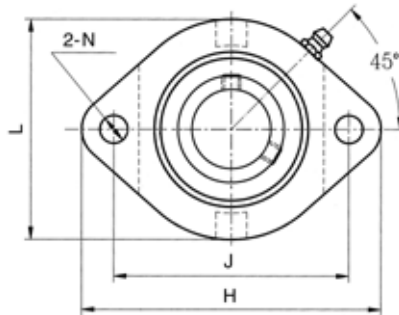




Two-bolt flange units

setscrew locking



SBFD2

Unit No.	Shaft Dia.		Dimensions mm inch								Bolt Used (mm) (in.)	Bearing No.	Housing No.	Weight (kg) (lb)
	d		H	J	L	A2	A	N	E	S				
	(in.)	(mm)												
SBFD201	12	81	63.5	59	7.5	15	7	23.5	6.0	M6	SB201 201-8	FD203	0.32 0.7	
201-8		1/2	3.1890	2.5000	2.3228	0.2953	0.5906	0.2756	0.9252	0.2362				1/4
SBFD202	15	81	63.5	59	7.5	15	7	23.5	6.0	M6	SB202A 202-9 202-10	FD203	0.31 0.7	
202-9		9/16	3.1890	2.5000	2.3228	0.2953	0.5906	0.2756	0.9252	0.2362				1/4
202-10		5/8												
SBFD203	17	81	63.5	59	7.5	15	7	23.5	6.0	M6	SB203 203-11	FD203	0.30 0.7	
203-11		11/16	3.1890	2.5000	2.3228	0.2953	0.5906	0.2756	0.9252	0.2362				1/4
SBFD204	20	91	71.4	67	9.5	16	9.5	27.5	7.0	M8	SB204 204-12	FD204	0.40 0.9	
204-12		3/4	3.5827	2.8110	2.6378	0.3740	0.6299	0.3740	1.0827	0.2756				5/16
SBFD205	25	95	76.2	71	9.5	17	9.5	29.0	7.5	M8	SB205 205-14 205-15 205-16	FD205	0.52 1.1	
205-14		7/8	3.7402	3.0000	2.7953	0.3740	0.6693	0.3740	1.1417	0.2953				5/16
205-15		15/16												
205-16		1												
SBFD206	30	113	90.5	84	9.5	20	11	31.5	8.0	M10	SB206 206-17 206-18 206-19 206-20	FD206	0.82 1.8	
206-17		1 1/16	4.4488	3.5630	3.3071	0.3740	0.7874	0.4331	1.2402	0.3150				3/8
206-18		1 1/8												
206-19		1 3/16												
206-20		1 1/4												
SBFD207	35	125	100	94	10	22	11	33.5	8.5	M10	SB207 207-20 207-21 207-22 207-23	FD207	0.91 2.0	
207-20		1 1/4	4.9212	3.9370	3.7008	0.3937	0.8661	0.4331	1.3189	0.3346				3/8
207-21		1 5/16												
207-22		1 3/8												
207-23		1 7/16												
SBFD208	40	148	119	104	12.5	25	13.5	37.5	9.0	M12	SB208 208-24 208-25	FD208	1.07 2.4	
208-24		1 1/2	5.8268	4.6850	4.0945	0.4921	0.9842	0.5315	1.4764	0.3543				1/2
208-25		1 9/16												

Alternative dimensions are available, for critical engineering or construction requirements please confirm these dimensions with your local Ringball branch

Note: Non-Regreasable is standard.

For Regreasable, please order with suffix FP9