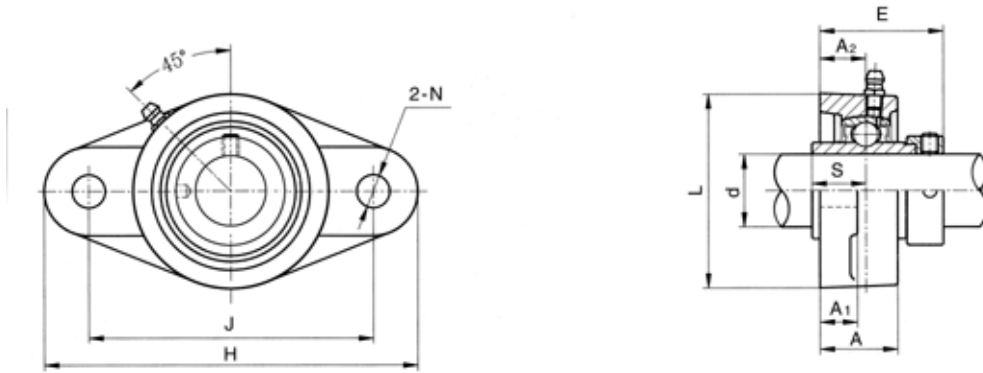




Two-bolt flange units
eccentric collar locking

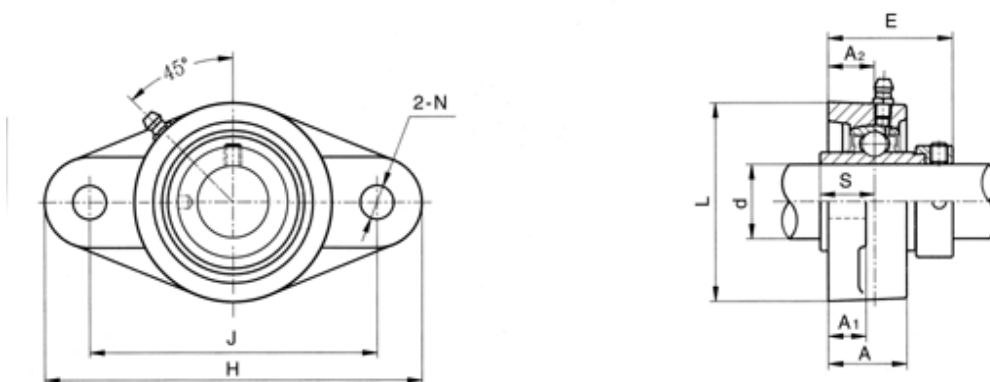


NANFL2

Unit No.	Shaft Dia.		Dimensions (mm) (inch)									Bolt Used (mm) (in.)	Bearing No.	Housing No.	Weight (kg) (lb)
	d		H	J	L	A ₂	A ₁	A	N	E	S				
	(in.)	(mm)													
NANFL201 201-8	1/2	12	113 4.4488	90 3.5433	60 2.3622	19 0.7480	13 0.5118	29.5 1.1614	10 0.3906	45.5 1.7913	17.0 0.6693	M8 5/16	NA201 201-8	NFL204	0.65 1.4
NANFL202 202-9 202-10	9/16 5/8	15	113 4.4488	90 3.5433	60 2.3622	19 0.7480	13 0.5118	29.5 1.1614	10 0.3906	45.5 1.7913	17.0 0.6693	M8 5/16	NA202 202-9 202-10	NFL204	0.63 1.4
NANFL203 203-11	11/16	17	113 4.4488	90 3.5433	60 2.3622	19 0.7480	13 0.5118	29.5 1.1614	10 0.3906	45.5 1.7913	17.0 0.6693	M8 5/16	NA203 203-11	NFL204	0.62 1.4
NANFL204 204-12	3/4	20	113 4.4488	90 3.5433	60 2.3622	19 0.7480	13 0.5118	29.5 1.1614	10 0.3906	45.5 1.7913	17.0 0.6693	M8 5/16	NA204 204-12	NFL204	0.59 1.3
NANFL205 205-14 205-15 205-16	7/8 15/16 1	25	122 4.8031	99 3.8976	70 2.7559	19 0.7480	13 0.5118	30 1.1811	11.9 0.4685	45.9 1.8071	17.4 0.6850	M10 3/8	NA205 205-14 205-15 205-16	NFL205	0.84 1.8
NANFL206 206-17 206-18 206-19 206-20	1 1/16 1 1/8 1 3/16 1 1/4	30	142 5.5906	116.5 4.5866	83 3.2677	20 0.7874	13 0.5118	33 1.2992	11.9 0.4685	50.1 1.9724	18.2 0.7165	M10 3/8	NA206 206-17 206-18 206-19 206-20	NFL206	1.14 2.5
NANFL207 207-20 207-21 207-22 207-23	1 1/4 1 5/16 1 3/8 1 7/16	35	156 6.1417	130 5.1181	94 3.7008	21 0.8268	15 0.5906	36 1.4173	13 0.5118	53.3 2.0984	18.8 0.7402	M12 1/2	NA207 207-20 207-21 207-22 207-23	NFL207	1.41 3.1
NANFL208 208-24 208-25	1 1/2 1 9/16	40	172 6.7712	143.5 5.6496	105 4.1338	24 0.9449	15 0.5906	39 1.5354	13 0.5118	58.9 2.3189	21.4 0.8425	M12 1/2	NA208 208-24 208-25	NFL208	1.83 4.0
NANFL209 209-26 209-27 209-28	1 5/8 1 11/16 1 3/4	45	180 7.0866	148.5 5.8464	108 4.2520	24 0.9449	16.5 0.6496	40 1.5748	15 0.5906	58.9 2.3189	21.4 0.8425	M14 9/16	NA209 209-26 209-27 209-28	NFL209	2.14 4.7
NANFL210 210-30 210-31 210-32	1 7/8 1 15/16 2	50	190 7.4803	157 6.1811	116 4.5276	28 1.1024	18 0.7807	46 1.8110	17 0.6693	66.1 2.6024	24.6 0.9685	M16 5/8	NA210 210-30 210-31 210-32	NFL210	2.47 5.4

Alternative dimensions are available, for critical engineering or construction requirements please confirm these dimensions with your local Ringball branch

Two-bolt flange units
eccentric collar locking



NANFL2

Unit No.	Shaft Dia.		Dimensions (mm) (inch)									Bolt Used (mm) (in.)	Bearing No.	Housing No.	Weight (kg) (lb)
	d		H	J	L	A ₂	A ₁	A	N	E	S				
	(in.)	(mm)													
NANFL211		55	217	184	128	31	18	49	17	74.7	27.7	M16	NA211	NFL211	3.54
211-32	2												211-32		
211-34	2 1/8		8.5433	7.2441	5.0937	1.2205	0.7087	1.9291	0.6693	2.9409	1.0906	5/8	211-34		7.8
211-35	2 3/16												211-35		
NANFL212		60	235	202	138	34	18.7	53	17	80.9	30.9	M16	NA212	NFL212	4.48
212-36	2 1/4												212-36		
212-37	2 5/16		9.2520	7.9528	5.4331	1.3386	0.7362	2.0866	0.6693	3.1850	1.2165	5/8	212-37		9.9
212-38	2 3/8												212-38		
212-39	2 7/16												212-39		

Alternative dimensions are available, for critical engineering or construction requirements please confirm these dimensions with your local Ringball branch