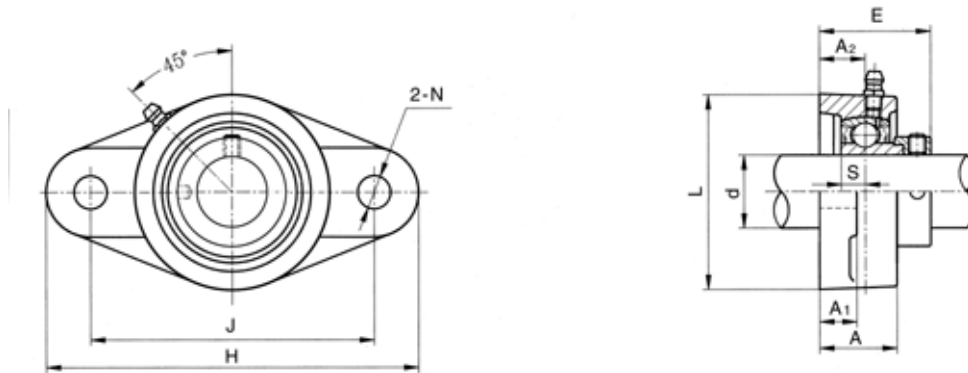


Two-bolt flange units
eccentric collar locking



SAFL2

Unit No.	Shaft Dia.		Dimensions (mm) (inch)									Bolt Used (mm) (in.)	Bearing No.	Housing No.	Weight (kg) (lb)
	d		H	J	L	A ₂	A ₁	A	N	E	S				
	(in.)	(mm)													
SAFL201 FP9		12											SA201 FP9		
201-8 FP9	1/2												201-8 FP9		
202 FP9		15	98	76	56	15	11	25.5	10	33.3	6.5	M8	202 FP9	FL202	0.53
202-9 FP9	9/16		3.8583	3	2.2047	0.5906	0.4331	1.0039	0.3906	1.3110	0.2559	5/16	202-9 FP9		1.20
202-10FP9	5/8												202-10FP9		
203 FP9		17											203 FP9		
203-11FP9	11/16												203-11FP9		
SAFL204 FP9		20	113	90	60	15	11	25.5	10	38.5	7.5	M8	SA204 FP9	FL204	0.56
204-12FP9	3/4		4.4488	3.5433	2.3622	0.5906	0.4331	1.0039	0.3906	1.5157	0.2953	5/16	204-12 FP9		1.2
SAFL205 FP9		25	130	99	68	16	13	27	12	39.5	7.5	M10	SA205 FP9	FL205	0.63
205-14 FP9	7/8												205-14 FP9		
205-15 FP9	15/16		5.1181	3.8976	2.6772	0.6299	0.5118	1.0630	0.4724	1.5551	0.2953	3/8	205-15 FP9		1.4
205-16 FP9	1												205-16 FP9		
SAFL206 FP9		30	148	117	80	18	13	31	12	44.7	9.0	M10	SA206 FP9	FL206	0.94
206-17 FP9	1 1/16												206-17 FP9		
206-18 FP9	1 1/8		5.8268	4.6063	3.1496	0.7087	0.5118	1.2205	0.4724	1.7598	0.3543	3/8	206-18 FP9		2.1
206-19 FP9	1 3/16												206-19 FP9		
206-20 FP9	1 1/4												206-20 FP9		
SAFL207 FP9		35	161	130	90	19	15	34	13.1	48.4	9.5	M12	SA207 FP9	FL207	1.23
207-20 FP9	1 1/4												207-20 FP9		
207-21 FP9	1 5/16		6.3386	5.1181	3.5433	0.7480	0.5906	1.3386	0.5156	1.9055	0.3740	1/2	207-21 FP9		2.7
207-22 FP9	1 3/8												207-22 FP9		
207-23 FP9	1 7/16												207-23 FP9		
SAFL208 FP9		40	175	144	100	21	15	36	13.1	53.7	11.0	M12	SA208 FP9	FL208	1.61
208-24 FP9	1 1/2		6.8898	5.6693	3.9370	0.8268	0.5906	1.4173	0.5156	2.1142	0.4331	1/2	208-24 FP9		3.5
208-25 FP9	1 9/16												208-25 FP9		
SAFL209 FP9		45	188	148	108	22	16	38	15	54.7	11.0	M14	SA209 FP9	FL209	1.85
209-26 FP9	1 5/8		7.4016	5.8268	4.2520	0.8661	0.6299	1.4961	0.5937	2.1535	0.4331	9/16	209-26 FP9		4.1
209-27 FP9	1 11/16												209-27 FP9		
209-28 FP9	1 3/4												209-28 FP9		
SAFL210 FP9		50	197	157	115	22	16	40	15	54.7	11.0	M14	SA210 FP9	FL210	2.14
210-30 FP9	1 7/8		7.7559	6.1811	4.5276	0.8661	0.6299	1.5748	0.5937	2.1535	0.4331	9/16	210-30 FP9		4.7
210-31 FP9	1 15/16												210-31 FP9		
210-32 FP9	2												210-32 FP9		
SAFL211 FP9		55	224	184	130	25	18	43	16.2	61.4	12.0	M14	SA211 FP9	FL211	2.82
211-32 FP9	2		8.8189	7.2441	5.1181	0.9842	0.7087	1.6929	0.6406	2.4173	0.4724	9/16	211-32 FP9		6.2
211-34 FP9	2 1/8												211-34 FP9		
211-35 FP9	2 3/16												211-35 FP9		

Alternative dimensions are available, for critical engineering or construction requirements please confirm these dimensions with your local Ringball branch