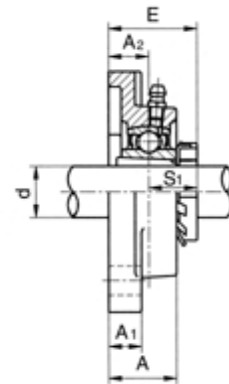
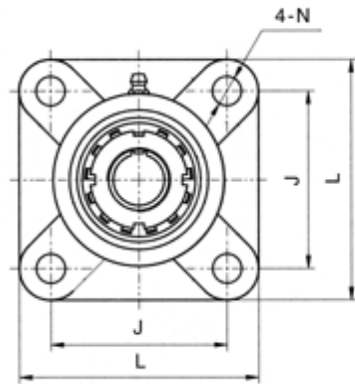




Four-bolt flange units

adapter sleeve locking



UKF2+H

| Unit No. | Shaft Dia. | | Dimensions (mm) (inch) | | | | | | | | Bolt Used (mm) (in.) | Bearing No. | Housing No. | Adapter Used. | Weight (kg) (lb) |
|---------------|------------|------|---------------------------|--------|----------------|----------------|--------|--------|--------|----------------|-------------------------|-------------|-------------|---------------|---------------------|
| | d | | L | J | A ₂ | A ₁ | A | N | E | S ₁ | | | | | |
| | (in.) | (mm) | | | | | | | | | | | | | |
| UKF205+H2305 | | 20 | 95 | 70 | 16 | 13 | 27 | 11.5 | 35.5 | 19.5 | M10 | UK205 | F205 | H2305 | 0.85 |
| UKF205+HE2305 | 3/4 | | 3.7402 | 2.7559 | 0.6299 | 0.5118 | 1.0630 | 0.4531 | 1.3976 | 0.7677 | 3/8 | | | HE2305 | 1.9 |
| UKF206+H2306 | | 25 | 108 | 83 | 18 | 13 | 31 | 13.1 | 39.0 | 21.0 | M10 | UK206 | F206 | H2306 | 1.21 |
| UKF206+HS2306 | 7/8 | | | | | | | | | | | | | HS2306 | |
| UKF206+HA2306 | 15/16 | | 4.2520 | 3.2677 | 0.7087 | 0.5118 | 1.2205 | 0.5156 | 1.5354 | 0.8268 | 3/8 | | | HA2306 | 2.6 |
| UKF206+HE2306 | 1 | | | | | | | | | | | | | HE2306 | |
| UKF207+H2307 | | 30 | 117 | 92 | 19 | 15 | 34 | 13.1 | 41.5 | 22.5 | M10 | UK207 | F207 | H2307 | 1.48 |
| UKF207+HS2307 | 1 1/8 | | | | | | | | | | | | | HS2307 | 3.3 |
| UKF207+HA2307 | 1 3/16 | | 4.6063 | 3.6220 | 0.7480 | 0.5906 | 1.3386 | 0.5156 | 1.6338 | 0.8858 | 3/8 | | | HA2307 | |
| UKF208+H2308 | | 35 | 130 | 102 | 21 | 15 | 36 | 13.89 | 45.5 | 24.5 | M12 | UK208 | F208 | H2308 | 1.92 |
| UKF208+HE2308 | 1 1/4 | | | | | | | | | | | | | HE2308 | 4.2 |
| UKF208+HS2308 | 1 3/8 | | 5.1181 | 4.0157 | 0.8268 | 0.5906 | 1.4173 | 0.5468 | 1.7913 | 0.9646 | 1/2 | | | HS2308 | |
| UKF209+H2309 | | 40 | 137 | 105 | 22 | 16 | 38 | 16 | 48.0 | 26.0 | M14 | UK209 | F209 | H2309 | 2.24 |
| UKF209+HA2309 | 1 7/16 | | | | | | | | | | | | | HA2309 | |
| UKF209+HE2309 | 1 1/2 | | 5.3937 | 4.1338 | 0.8661 | 0.6299 | 1.4961 | 0.6299 | 1.8898 | 1.0236 | 9/16 | | | HE2309 | 4.9 |
| UKF209+HS2309 | 1 5/8 | | | | | | | | | | | | | HS2309 | |
| UKF210+H2310 | | 45 | 143 | 111 | 22 | 16 | 40 | 16 | 49.5 | 27.5 | M14 | UK210 | F210 | H2310 | 2.57 |
| UKF210+HA2310 | 1 11/16 | | | | | | | | | | | | | HA2310 | 5.7 |
| UKF210+HE2310 | 1 3/4 | | 5.6299 | 4.3701 | 0.8661 | 0.6299 | 1.5748 | 0.6299 | 1.9488 | 1.0827 | 9/16 | | | HE2310 | |
| UKF211+H2311 | | 50 | 162 | 130 | 25 | 18 | 43 | 17 | 53.5 | 28.5 | M16 | UK211 | F211 | H2311 | 3.53 |
| UKF211+HS2311 | 1 7/8 | | | | | | | | | | | | | HS2311 | |
| UKF211+HA2311 | 1 5/16 | | 6.3780 | 5.1181 | 0.9842 | 0.7087 | 1.6929 | 0.6693 | 2.1063 | 1.1220 | 5/8 | | | HA2311 | 7.8 |
| UKF211+HE2311 | 2 | | | | | | | | | | | | | HE2311 | |
| UKF212+H2312 | | 55 | 175 | 143 | 29 | 18 | 48 | 17 | 60.0 | 31.0 | M16 | UK212 | F212 | H2312 | 4.20 |
| UKF212+HS2312 | 2 1/8 | | 6.8898 | 5.6299 | 1.1417 | 0.7087 | 1.8898 | 0.6693 | 2.3622 | 1.2205 | 5/8 | | | HS2312 | 9.2 |
| UKF213+H2313 | | 60 | 187 | 149 | 30 | 22 | 50 | 17 | 63.0 | 33.0 | M16 | UK213 | F213 | H2313 | 5.41 |
| UKF213+HA2313 | 2 3/16 | | | | | | | | | | | | | HA2313 | |
| UKF213+HE2313 | 2 1/4 | | 7.3622 | 5.8661 | 1.1811 | 0.8661 | 1.9685 | 0.6693 | 2.4803 | 1.2992 | 5/8 | | | HE2313 | 11.9 |
| UKF213+HS2313 | 2 3/8 | | | | | | | | | | | | | HS2313 | |
| UKF215+H2315 | | 65 | 200 | 159 | 34 | 22 | 56 | 19 | 69.5 | 35.5 | M16 | UK215 | F215 | H2315 | 7.03 |
| UKF215+HA2315 | 2 7/16 | | | | | | | | | | | | | HA2315 | 15.5 |
| UKF215+HE2315 | 2 1/2 | | 7.8740 | 6.2598 | 1.3386 | 0.8661 | 2.2047 | 0.7480 | 2.7362 | 1.3976 | 5/8 | | | HE2315 | |
| UKF216+H2316 | | 70 | 208 | 165 | 34 | 22 | 58 | 19 | 73.0 | 39.0 | M16 | UK216 | F216 | H2316 | 8.36 |
| UKF216+HA2316 | 2 11/16 | | | | | | | | | | | | | HA2316 | 18.4 |
| UKF216+HE2316 | 2 3/4 | | 8.1890 | 6.4961 | 1.3386 | 0.8661 | 2.2835 | 0.7480 | 2.8740 | 1.5354 | 5/8 | | | HE2316 | |
| UKF217+H2317 | | 75 | 220 | 175 | 36 | 24 | 63 | 19 | 77.0 | 41.0 | M16 | UK217 | F217 | H2317 | 9.73 |
| UKF217+HA2317 | 2 5/16 | | | | | | | | | | | | | HA2317 | 21.4 |
| UKF217+HE2317 | 3 | | 8.6614 | 6.8898 | 1.4173 | 0.9449 | 2.4803 | 0.7480 | 3.0315 | 1.6142 | 5/8 | | | HE2317 | |
| UKF218+H2318 | | 80 | 235 | 187 | 40 | 24 | 68 | 19 | 82.5 | 42.5 | M16 | UK218 | F218 | H2318 | 11.43 |
| | | | 9.2520 | 7.3622 | 1.5748 | 0.9449 | 2.6772 | 0.7480 | 3.2480 | 1.6732 | 5/8 | | | | 25.2 |