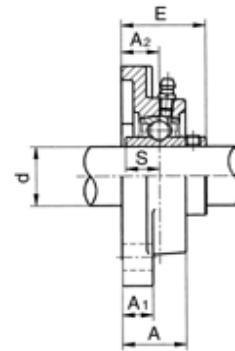
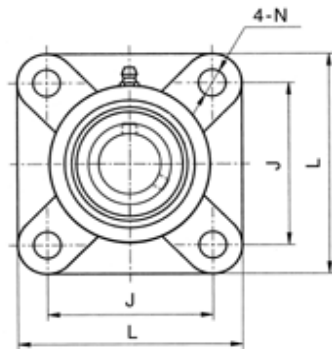




Four-bolt flange units

setscrew locking



UCFX

Unit No.	Shaft Dia.		Dimensions (mm) (inch)								Bolt Used (mm) (in.)	Bearing No.	Housing No.	Weight (kg) (lb)
	d		L	J	A ₂	A ₁	A	N	E	S				
	(in.)	(mm)												
UCFX05 X05-16	1	25	108 4.2520	83 3.2677	18 0.7087	13 0.5118	30 1.1811	12 0.4724	40.2 1.5827	15.9 0.6260	M10 3/8	UCX05 X05-16	FX05	1.15 2.5
UCFX06 X06-19 X06-20	1 3/16 1 1/4	30	117 4.6063	92 3.6220	19 0.7480	14 0.5512	34 1.3386	16 0.6299	44.4 1.7480	17.5 0.6890	M14 9/16	UCX06 X06-19 X06-20	FX06	1.50 3.3
UCFX07 X07-22 X07-23	1 3/8 1 7/16	35	130 5.1181	102 4.0157	21 0.8268	14 0.5512	38 1.4961	16 0.6299	51.2 2.0157	19.0 0.7480	M14 9/16	UCX07 X07-22 X07-23	FX07	1.97 4.3
UCFX08 X08-24	1 1/2	40	137 5.3937	105 4.1338	22 0.8661	14 0.5512	40 1.5748	19 0.7480	52.2 2.0551	19.0 0.7480	M16 5/8	UCX08 X08-24	FX08	2.10 4.6
UCFX09 X09-27 X09-28	1 11/16 1 3/4	45	143 5.6299	111 4.3701	23 0.9055	14 0.5512	40 1.5748	19 0.7480	55.6 2.1890	19.0 0.7480	M16 5/8	UCX09 X09-27 X09-28	FX09	2.29 5.0
UCFX10 X10-31 X10-32	1 5/8 2	50	162 6.3780	130 5.1181	26 1.0236	20 0.7874	44 1.7323	19 0.7480	59.4 2.3386	22.2 0.8740	M16 5/8	UCX10 X10-31 X10-32	FX10	3.59 7.9
UCFX11 X11-35 X11-36	2 3/16 2 1/4	55	175 6.8898	143 5.6299	29 1.1417	20 0.7874	49 1.9291	19 0.7480	68.7 2.7047	25.4 1.0000	M16 5/8	UCX11 X11-35 X11-36	FX11	4.54 10.0
UCFX12 X12-38 X12-39	2 3/8 2 7/16	60	187 7.3622	149 5.8661	34 1.3386	21 0.8266	59 2.3228	19 0.7480	73.7 2.9016	25.4 1.0000	M16 5/8	UCX12 X12-38 X12-39	FX12	5.89 12.9
UCFX13 X13-40	2 1/2	65	187 7.3622	149 5.8661	34 1.3386	21 0.8266	59 2.3228	19 0.7480	78.4 3.0866	30.2 1.1890	M16 5/8	UCX13 X13-40	FX13	6.26 13.8
UCFX14 X14-44	2 3/4	70	197 7.7559	152 5.9842	37 1.4567	24 0.9449	60 2.3622	23 0.9055	81.5 3.2087	33.3 1.3110	M20 3/4	UCX14 X14-44	FX14	6.58 14.5
UCFX15 X15-48	3	75	197 7.7559	152 5.9842	40 1.5748	24 0.9449	68 2.6772	23 0.9055	89.3 3.5157	33.3 1.3110	M20 3/4	UCX15 X15-48	FX15	7.25 16.0
UCFX16		80	214 8.4252	171 6.7323	40 1.5748	24 0.9449	70 2.7559	23 0.9055	91.6 3.6063	34.1 1.3425	M20 3/4	UCX16	FX16	9.17 20.2
UCFX17 X17-52	3 1/4	85	214 8.4252	171 6.7323	40 1.5748	24 0.9449	70 2.7559	23 0.9055	96.3 3.7913	39.7 1.5630	M20 3/4	UCX17 X17-52	FX17	9.47 20.8
UCFX18 X18-56	3 1/2	90	214 8.4252	171 6.7323	45 1.7716	24 0.9449	76 2.9921	23 0.9055	106.1 4.1772	42.9 1.6890	M20 3/4	UCX18 X18-56	FX18	10.23 22.5
UCFX20 X20-64	4	100	268 10.551	211 8.3071	59 2.3228	31 1.2205	97 3.8189	31 1.2205	127.3 5.0118	49.2 1.9370	M27 1	UCX20 X20-64	FX20	17.32 38.1

Alternative dimensions are available, for critical engineering or construction requirements please confirm these dimensions with your local Ringball branch