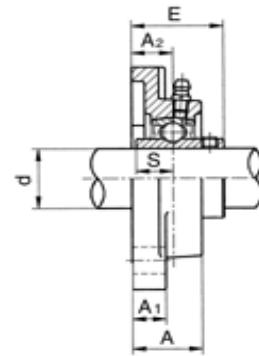
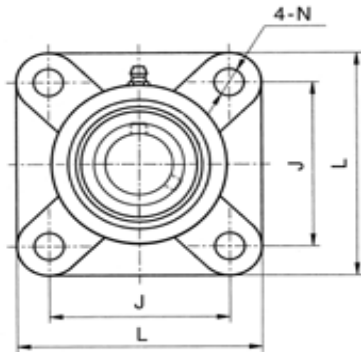




## Four-bolt flange units

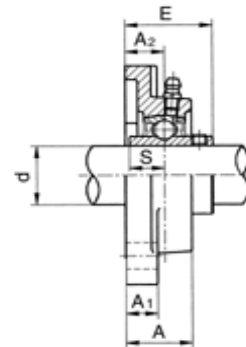
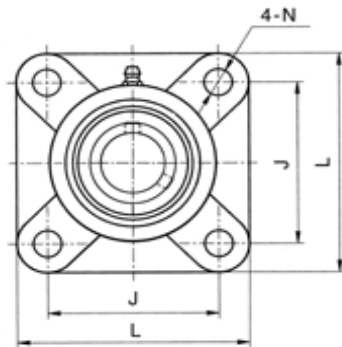
### setscrew locking



## UCF2

Unit No.	Shaft Dia.		Dimensions (mm) (inch)								Bolt Used (mm) (in.)	Bearing No.	Housing No.	Weight (kg) (lb)
	d		L	J	A <sub>2</sub>	A <sub>1</sub>	A	N	E	S				
	(in.)	(mm)												
UCF201		12	86	64	15	11	25.5	11.1	33.3	12.7	M10	UC201	F204	0.65
201-8	1/2		3.3858	2.5197	0.5906	0.4331	1.0039	0.4375	1.3110	0.5000	3/8	201-8		1.4
UCF202		15	86	64	15	11	25.5	11.1	33.3	12.7	M10	UC202	F204	0.64
202-9	9/16		3.3858	2.5197	0.5906	0.4331	1.0039	0.4375	1.3110	0.5000	3/8	202-9		1.4
202-10	5/8											202-10		
UCF203		17	86	64	15	11	25.5	11.1	33.3	12.7	M10	UC203	F204	0.63
203-11	1/16		3.3858	2.5197	0.5906	0.4331	1.0039	0.4375	1.3110	0.5000	3/8	203-11		1.4
UCF204		20	86	64	15	11	25.5	11.1	33.3	12.7	M10	UC204	F204	0.61
204-12	3/4		3.3858	2.5197	0.5906	0.4331	1.0039	0.4375	1.3110	0.5000	3/8	204-12		1.3
UCF205		25	95	70	16	13	27	11.5	35.8	14.3	M10	UC205	F205	0.82
205-14	7/8		3.7402	2.7559	0.6299	0.5118	1.0630	0.4531	1.4094	0.5630	3/8	205-14		1.8
205-15	15/16											205-15		
205-16	1											205-16		
UCF206		30	108	83	18	13	31	13.1	40.2	15.9	M10	UC206	F206	1.13
206-17	1 1/16		4.2520	3.2677	0.7087	0.5118	1.2205	0.5156	1.5827	0.6260	3/8	206-17		2.5
206-18	1 1/8											206-18		
206-19	1 3/16											206-19		
206-20	1 1/4											206-20		
UCF207		35	117	92	19	15	34	13.1	44.4	17.5	M10	UC207	F207	1.42
207-20	1 1/4		4.6063	3.6220	0.7480	0.5906	1.3386	0.5156	1.7480	0.6890	3/8	207-20		3.1
207-21	1 5/16											207-21		
207-22	1 3/8											207-22		
207-23	1 7/16											207-23		
UCF208		40	130	102	21	15	36	13.89	51.2	19.0	M12	UC208	F208	1.87
208-24	1 1/2		5.1181	4.0157	0.8268	0.5906	1.4173	0.5468	2.0157	0.7480	1/2	208-24		4.1
208-25	1 9/16											208-25		
UCF209		45	137	105	22	16	38	16	52.2	19.0	M14	UC209	F209	2.15
209-26	1 5/8		5.3937	4.1338	0.8661	0.6299	1.4961	0.6299	2.0551	0.7480	9/16	209-26		4.7
209-27	1 1/16											209-27		
209-28	1 3/4											209-28		
UCF210		50	143	111	22	16	40	16	54.6	19.0	M14	UC210	F210	2.45
210-30	1 7/8		5.6299	4.3701	0.8661	0.6299	1.5748	0.6299	2.1496	0.7480	9/16	210-30		5.4
210-31	1 15/16											210-31		
210-32	2											210-32		

Alternative dimensions are available, for critical engineering or construction requirements please confirm these dimensions with your local Ringball branch



### UCF2

Unit No.	Shaft Dia.		Dimensions (mm) (inch)								Bolt Used (mm) (in.)	Bearing No.	Housing No.	Weight (kg) (lb)
	d		L	J	A <sub>2</sub>	A <sub>1</sub>	A	N	E	S				
	(in.)	(mm)												
UCF211		55	162	130	25	18	43	17	58.4	22.2	M16	UC211	F211	3.40
211-32	2											211-32		
211-34	2 1/8		6.3780	5.1181	0.9842	0.7087	1.6929	0.6693	2.2992	0.8740	5/8	211-34		7.5
211-35	2 3/16											211-35		
UCF212		60	175	143	29	18	48	17	68.7	25.4	M16	UC212	F212	4.17
212-36	2 1/4											212-36		
212-37	2 5/16		6.8898	5.6299	1.1417	0.7087	1.8898	0.6693	2.7047	1.0000	5/8	212-37		9.2
212-38	2 3/8											212-38		
212-39	2 7/16											212-39		
UCF213		65	187	149	30	22	50	17	69.7	25.4	M16	UC213	F213	5.32
213-40	2 1/2		7.3622	5.8661	1.1811	0.8661	1.9685	0.6693	2.7441	1.0000	5/8	213-40		11.7
UCF214		70	193	152	31	22	54	19	75.4	30.2	M16	UC214	F214	5.92
214-43	2 11/16		7.5984	5.9842	1.2205	0.8661	2.1260	0.7480	2.9685	1.1890	5/8	214-43		13.0
214-44	2 3/4											214-44		
UCF215		75	200	159	34	22	56	19	78.5	33.3	M16	UC215	F215	6.65
215-46	2 7/8											215-46		
215-47	2 15/16		7.8740	6.2598	1.3386	0.8661	2.2047	0.7480	3.0906	1.3110	5/8	215-47		14.6
215-48	3											215-48		
UCF216		80	208	165	34	22	58	19	83.3	33.3	M16	UC216	F216	7.89
			8.1890	6.4961	1.3386	0.8661	2.2835	0.7480	3.2795	1.3110	5/8			17.4
UCF217		85	220	175	36	24	63	19	87.6	34.1	M16	UC217	F217	9.18
217-52	3 1/4		8.6614	6.8898	1.4173	0.9449	2.4803	0.7480	3.4488	1.3425	5/8	217-52		20.2
UCF218		90	235	187	40	24	68	19	96.3	39.7	M20	UC218	F218	11.20
218-56	3 1/2		9.2520	7.3622	1.5748	0.9449	2.6772	0.7480	3.7913	1.5630	3/4	218-56		24.7

Alternative dimensions are available, for critical engineering or construction requirements please confirm these dimensions with your local Ringball branch