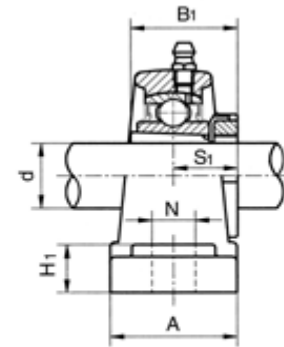
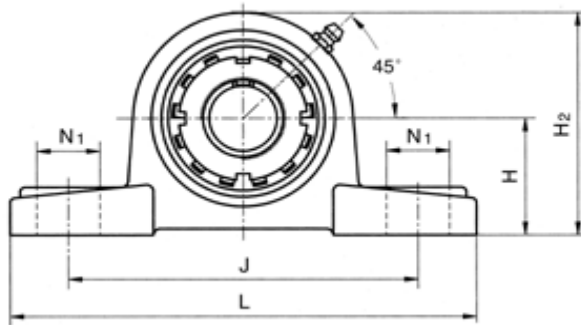




Pillow block units
adaper sleeve locking



UKP2+H

Unit No.	Shaft Dia.		Dimensions (mm) (inch)										Bolt Used (mm) (in.)	Bearing No.	Housing No.	Adapter Used.	Weight (kg) (lb)
	d		H	L	J	A	N	N ₁	H ₁	H ₂	S ₁	B ₁					
	(in.)	(mm)															
UKP205+H2305		20	36.5	140	105	38	13	19	15	71	19.5	35	M10	UK205	P205	H2305	0.94
UKP205+HE2305	3/4		1.4370	5.5118	4.1338	1.4961	0.5118	0.7480	0.5906	2.7953	0.7677	1.3780	3/8			HE2305	2.1
UKP206+H2306		25	42.9	165	121	48	17	21	17	83	21.0	38	M14	UK206	P206	H2306	1.40
UKP206+HS2306	7/8															HS2306	
UKP206+HA2306	15/16		1.6890	6.4961	4.7638	1.8898	0.6693	0.8268	0.6693	3.2677	0.8268	1.4961	9/16			HA2306	3.1
UKP206+HE2306	1															HE2306	
UKP207+H2307		30	47.6	167	127	48	17	21	18	93	22.5	43	M14	UK207	P207	H2307	1.78
UKP207+HS2307	1 1/8		1.8740	6.5748	5.0000	1.8898	0.6693	0.8268	0.7087	3.6614	0.8858	1.6929	9/16			HS2307	3.9
UKP207+HA2307	1 3/16															HA2307	
UKP208+H2308		35	49.2	184	137	54	17	21	18	98	24.5	46	M14	UK208	P208	H2308	2.09
UKP208+HE2308	1 1/4		1.9370	7.2441	5.3937	2.1260	0.6693	0.8268	0.7087	3.8583	0.9646	1.8110	9/16			HE2308	4.6
UKP208+HS2308	1 3/8															HS2308	
UKP209+H2309		40	54	190	146	54	17	21	20	106	26.0	50	M14	UK209	P209	H2309	2.54
UKP209+HA2309	1 7/16															HA2309	
UKP209+HE2309	1 1/2		2.1260	7.4803	5.7480	2.1260	0.6693	0.8268	0.7874	4.1732	1.0236	1.9685	9/16			HE2309	5.6
UKP209+HS2309	1 5/8															HS2309	
UKP210+H2310		45	57.2	206	159	60	20	25	21	114	27.5	55	M16	UK210	P210	H2310	3.22
UKP210+HA2310	1 1/16		2.2520	8.1102	6.2598	2.3622	0.7874	0.9842	0.8268	4.4882	1.0827	2.1654	5/8			HA2310	7.1
UKP210+HE2310	1 3/4															HE2310	
UKP211+H2311		50	63.5	219	171	60	20	25	23	126	28.5	59	M16	UK211	P211	H2311	3.98
UKP211+HS2311	1 7/8															HS2311	
UKP211+HA2311	1 5/16		2.5000	8.6220	6.7323	2.3622	0.7874	0.9842	0.9055	4.9606	1.1220	2.3228	5/8			HA2311	8.8
UKP211+HE2311	2															HE2311	
UKP212+H 2312		55	69.8	241	184	70	20	25	25	138	31.0	62	M16	UK212	P212	H2312	51.3
UKP212+HS2312	2 1/8		2.7480	9.4882	7.2441	2.7559	0.7874	0.9842	0.9842	5.4331	1.2205	2.4409	5/8			HS2312	11.3
UKP213+H2313		60	76.2	264	203	70	25	30	27	151	33.0	65	M20	UK213	P213	H2313	6.35
UKP213+HA2313	2 3/16															HA2313	
UKP213+HE2313	2 1/4		3.0000	10.394	7.9921	2.7559	0.9842	1.1811	1.0630	5.9449	1.2992	2.5590	3/4			HE2313	14.0
UKP213+HS2313	2 3/8															HS2313	
UKP215+H2315		65	82.6	275	217	74	25	30	28	163	35.5	73	M20	UK215	P215	H2315	8.00
UKP215+HA2315	2 7/16		3.2520	10.827	8.5433	2.9134	0.9842	1.1811	1.1024	6.4173	1.3976	2.8740	3/4			HA2315	17.6
UKP215+HE2315	2 1/2															HE2315	
UKP216+H2316		70	88.9	292	232	78	25	30	30	175	39.0	78	M20	UK216	P216	H2316	9.50
UKP216+HA2316	2 1/16		3.5000	11.496	9.1338	3.0709	0.9842	1.1811	1.1811	6.8898	1.5354	3.0709	3/4			HA2316	20.9
UKP216+HE2316	2 3/4															HE2316	
UKP217+H2317		75	95.2	310	247	83	25	30	32	187	41.0	82	M20	UK217	P217	H2317	11.83
UKP217+HA2317	2 5/16		3.7480	12.205	9.7244	3.2677	0.9842	1.1811	1.2598	7.3622	1.6142	3.2283	3/4			HA2317	26.0
UKP217+HE2317	3															HE2317	
UKP218+H2318		80	101.6	327	262	88	27	36	33	200	42.5	86	M22	UK218	P218	H2318	13.68
			4.0000	12.874	10.315	3.4646	1.0630	1.4173	1.2992	7.8740	1.6732	3.3858	7/8				30.1