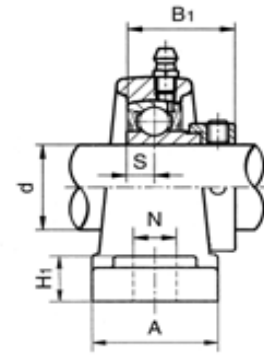
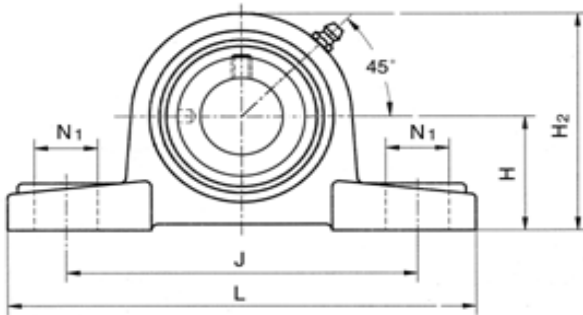




Pillow block units  
eccentric collar locking



**SAP2 FP9**

Unit No.	Shaft Dia.		Dimensions (mm / inch)										Bolt Used (mm / in.)	Bearing No.	Housing No.	Weight (kg / lb)
	d		H	L	J	A	N	N <sub>1</sub>	H <sub>1</sub>	H <sub>2</sub>	S	B <sub>1</sub>				
	(in.)	(mm)														
SAP201 FP9	1/2	12	30.2	127	95	38	13	19	14	60	6.5	28.6	M10	SA201 FP9 201-8 FP9 202 FP9 202-10 FP9 203 FP9	P202	.80 1.9
201-8 FP9																
202 FP9																
202-10 FP9																
203 FP9																
SAP204 FP9	3/4	20	33.3	127	95	38	13	19	14	65	7.5	31.0	M10	SA204 FP9	P204	0.74 1.6
204-12 FP9		1.3110	5.0000	3.7402	1.4961	0.5118	0.7480	0.5512	2.5590	0.2953	1.2205	3/8	204-12 FP9			
SAP205 FP9	5/8	25	36.5	140	105	38	13	19	15	71	7.5	31.0	M10	SA205 FP9 205-14 FP9 205-15 FP9 205-16 FP9	P205	0.90 2.0
205-14 FP9																
205-15 FP9																
205-16 FP9																
SAP206 FP9	1	30	42.9	165	121	48	17	21	17	83	9.0	35.7	M14	SA206 FP9 206-17 FP9 206-18 FP9 206-19 FP9 206-20 FP9	P206	1.33 2.9
206-17 FP9																
206-18 FP9																
206-19 FP9																
206-20 FP9																
SAP207 FP9	1 1/4	35	47.6	167	127	48	17	21	18	93	9.5	38.9	M14	SA207 FP9 207-20 FP9 207-21 FP9 207-22 FP9 207-23 FP9	P207	1.75 3.8
207-20 FP9																
207-21 FP9																
207-22 FP9																
207-23 FP9																
SAP208 FP9	1 1/2	40	49.2	184	137	54	17	21	18	98	11.0	43.7	M14	SA208 FP9 208-24 FP9 208-25 FP9	P208	2.16 4.8
208-24 FP9																
208-25 FP9																
SAP209 FP9	1 5/8	45	54	190	146	54	17	21	20	106	11.0	43.7	M14	SA209 FP9 209-26 FP9 209-27 FP9 209-28 FP9	P209	2.47 5.4
209-26 FP9																
209-27 FP9																
209-28 FP9																
SAP210 FP9	2	50	57.2	206	159	60	20	25	21	114	11.0	43.7	M16	SA210 FP9 210-30 FP9 210-31 FP9 210-32 FP9	P210	3.08 6.8
210-30 FP9																
210-31 FP9																
210-32 FP9																
SAP211 FP9	2 3/16	55	63.5	219	171	60	20	25	23	126	12.0	48.4	M16	SA211 FP9 211-32 FP9 211-34 FP9 211-35 FP9	P211	3.57 7.9
211-32 FP9																
211-34 FP9																
211-35 FP9																

Alternative dimensions are available, for critical engineering or construction requirements please confirm these dimensions with your local Ringball branch